

EMICO

EMICO EA 800 SERIES METAL SEATED BALL VALVES



| E | A | 801 | F | 2 | F | FE |
|-------------|-------------------------------|---|--|--------------------------------------|-------------------------------|------------------------------------|
| EMICO BRAND | VALVE SYMBOL A: BALL VALVE | VALVE SERIES NO. & ASME CLASS CODE CLASS 801 150 803 300 | BODY MATERIAL C: A105 / WCB A: F316 F: CF8M S: F304 / CF8 L: F316L / CF3M K: F304L / CF3 | BODY CONSTRUCTION 2: 2-PIECE TYPE | BALL TYPE F: FLOATING BALL | END CONNECTIONS FE: FLANGED END |

Feature

- Full Port design, as standard, for high flow and minimum turbulence.
- Tight shutoff achieved by lapping of ball and metal seat sets.
- Various surface treatments and coatings available for improved corrosion and abrasion resistance.
- Inherently fire safe materials.

Materials

- Tungsten Carbide
- Chromium Carbide Nickel Chromium
- Tungsten Carbide Cobalt Chrome
- Ni 60
- Inconel 625
- Stellite 6
- Stellite 20

Technical Summary

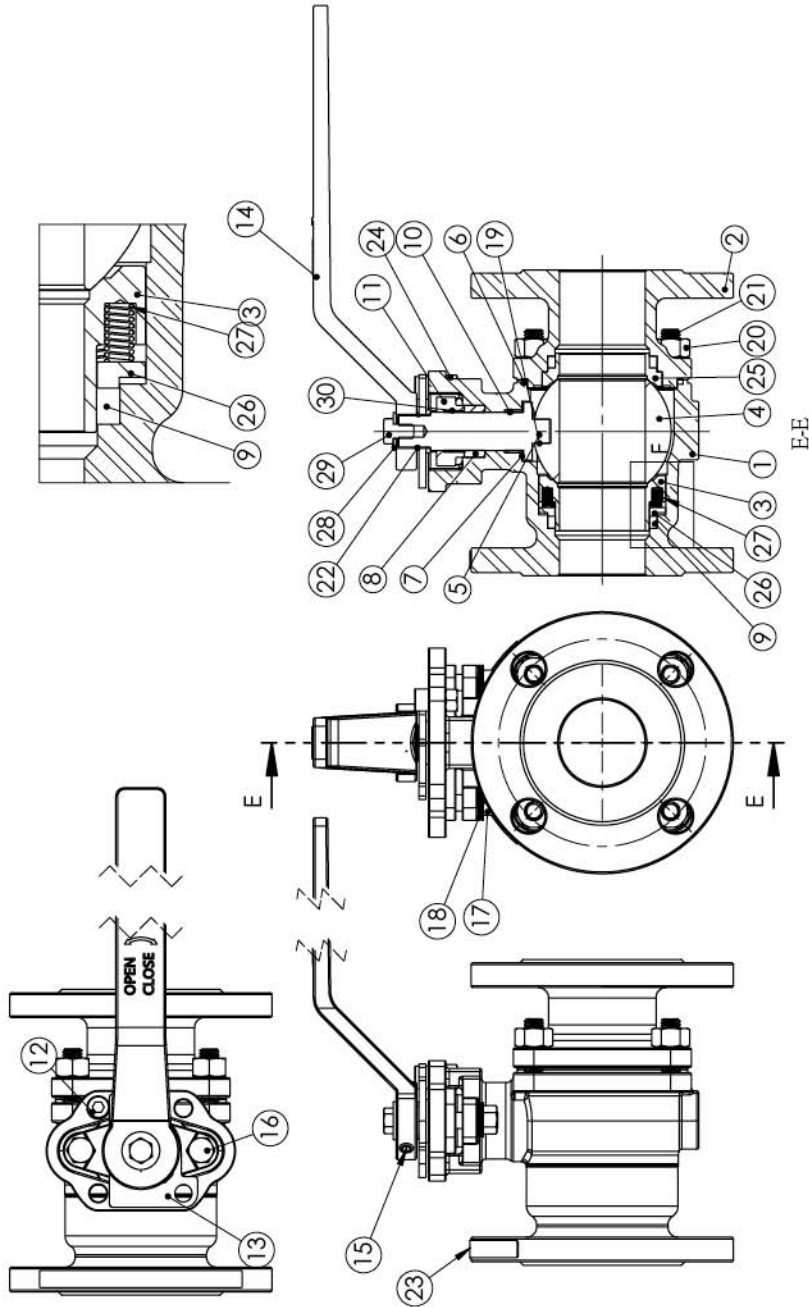
- Size: 1/2"~4" (DN15~DN100)
- Construction: Uni-directional, Full Port
- Typical Service: Super heated steam, Hot gas, High viscous media
- Temperature Range: -196~500 degree C
- Material: Carbon steel, Stainless steel, Duplex Stainless steel
- Flange: Class150/300
- Operation: Lever, gear operater, pneumatic or electrically actuated

Applicable Standard

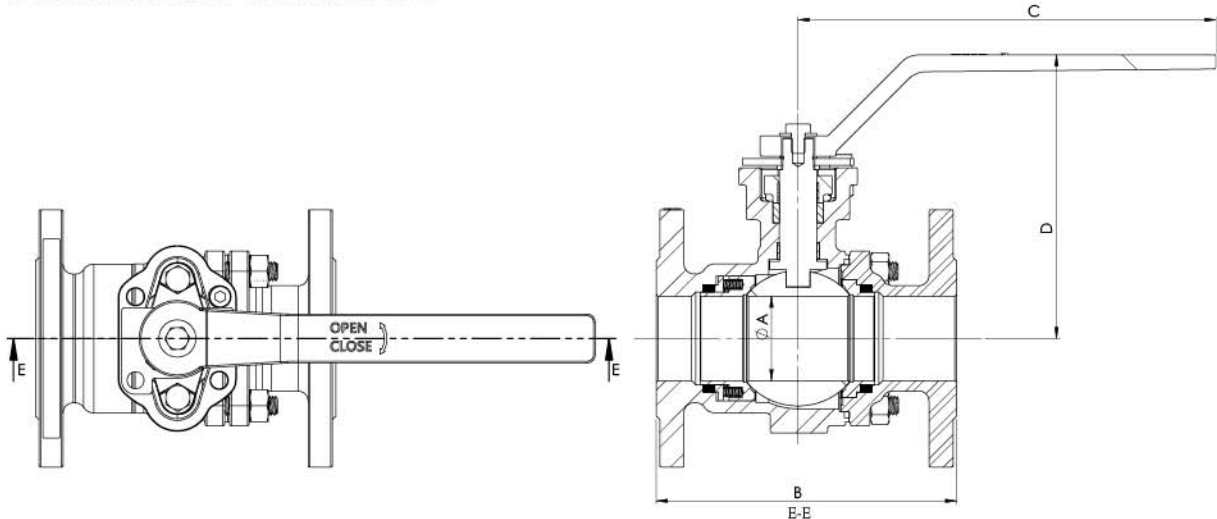
- Valve Design: ASME B16.34, ISO 17292.
- Pressure Test: API 598, ASME B16.104 /FCI70-2(Class V or VI)
- API 608

| | | | |
|------|--------------------------|--------------------------|-------|
| 30 | Gland Bush | SS304+PTFE | 1 |
| 29 | Hex. Bolts | SS304 | 1 |
| 28 | Handle Washer | SS304 | 1 |
| 27 | Spring | INCONEL X-750 | 12 |
| 26 | Seat Seal Packing Ring | SUS316 | 1 |
| 25 | End Cap Seats | SS304+Solder Stellite #6 | 1 |
| 24 | Nuts | SS304 | 1 |
| 23 | Tag | SS304 | 1 |
| 22 | Snap Ring | SS304 | 1 |
| 21 | Stud | A193B7M | 4 |
| 20 | Nuts | A194-2HM | 4 |
| 19 | Static | SS316 | 2 Set |
| 18 | Belleville Spring Washer | S.STEEL | 4 |
| 17 | Hex. Nuts | SS304 | 2 |
| 16 | Hex. Head Bolts | SS304 | 2 |
| 15 | Set Screw | SS304 | 1 |
| 14 | Handle | WCB | 1 |
| 13 | Locking Plate | SS304 | 1 |
| 12 | Socket Head Bolts | SS304 | 1 |
| 11 | Gland Flange | CF8 | 1 |
| 10 | Upper Bearing | SS304+PTFE | 1 |
| 9 | Seat Seal | GRAPHITE | 2 |
| 8 | Packing | GRAPHITE | 1 Set |
| 7 | Upper Washer | SS304+PTFE | 1 |
| 6 | Body Gasket | 316L+GRAPHITE | 1 |
| 5 | Stem | 17-4PH | 1 |
| 4 | Ball | SS316+Ni Alloy | 1 |
| 3 | Body Seats | SS304+Solder Stellite #6 | 1 |
| 2 | End Cap | WCB | 1 |
| 1 | Body | WCB | 1 |
| ITEM | PART NAME | MATERIAL | QTY. |

※ Item 3 & 4, different material of coating available upon request.



DIMENSIONS & WEIGHTS



ASME CLASS 150 FULL BORE

| SIZE | A | B | C | D | Weight (kg) |
|--------|------|-----|-----|-----|-------------|
| 1/2" | 16 | 108 | 150 | 86 | 2.6 |
| 3/4" | 20 | 117 | 150 | 86 | 3.2 |
| 1" | 25 | 127 | 185 | 98 | 4.5 |
| 1-1/2" | 38 | 165 | 248 | 146 | 7.8 |
| 2" | 50 | 178 | 248 | 168 | 11.0 |
| 3" | 76.2 | 203 | 355 | 201 | 23.0 |
| 4" | 100 | 229 | 486 | 221 | 35.0 |

ASME CLASS 300 FULL BORE

| SIZE | A | B | C | D | Weight (kg) |
|--------|------|-----|-----|-----|-------------|
| 1/2" | 16 | 140 | 150 | 86 | 3.8 |
| 3/4" | 20 | 152 | 150 | 86 | 5.0 |
| 1" | 25 | 165 | 185 | 98 | 6.0 |
| 1-1/2" | 38 | 190 | 248 | 146 | 11.0 |
| 2" | 50 | 216 | 248 | 168 | 14.0 |
| 3" | 76.2 | 282 | 486 | 198 | 30.0 |
| 4" | 100 | 305 | 872 | 253 | 47.0 |

Reasonable care has been taken to ensure accuracy of the material in this brochure. EMICO recommends that you verify any information with your independent expert and rely solely on that expert's advice. EMICO expressly disclaims any and all liability whatsoever.

EMICO

EAYUAN METAL INDUSTRIAL CO., LTD.

Taiwan Head Office:
16F-8, No. 386, Shizheng Rd., Xitun Dist.,
Taichung City 407, Taiwan

Ph: 886-4-2259-1616
Fax: 886-4-2259-6116
886-4-2259-6117

E-mail: emico@ms4.hinet.net
Website: www.emico.com.tw

DISTRIBUTOR