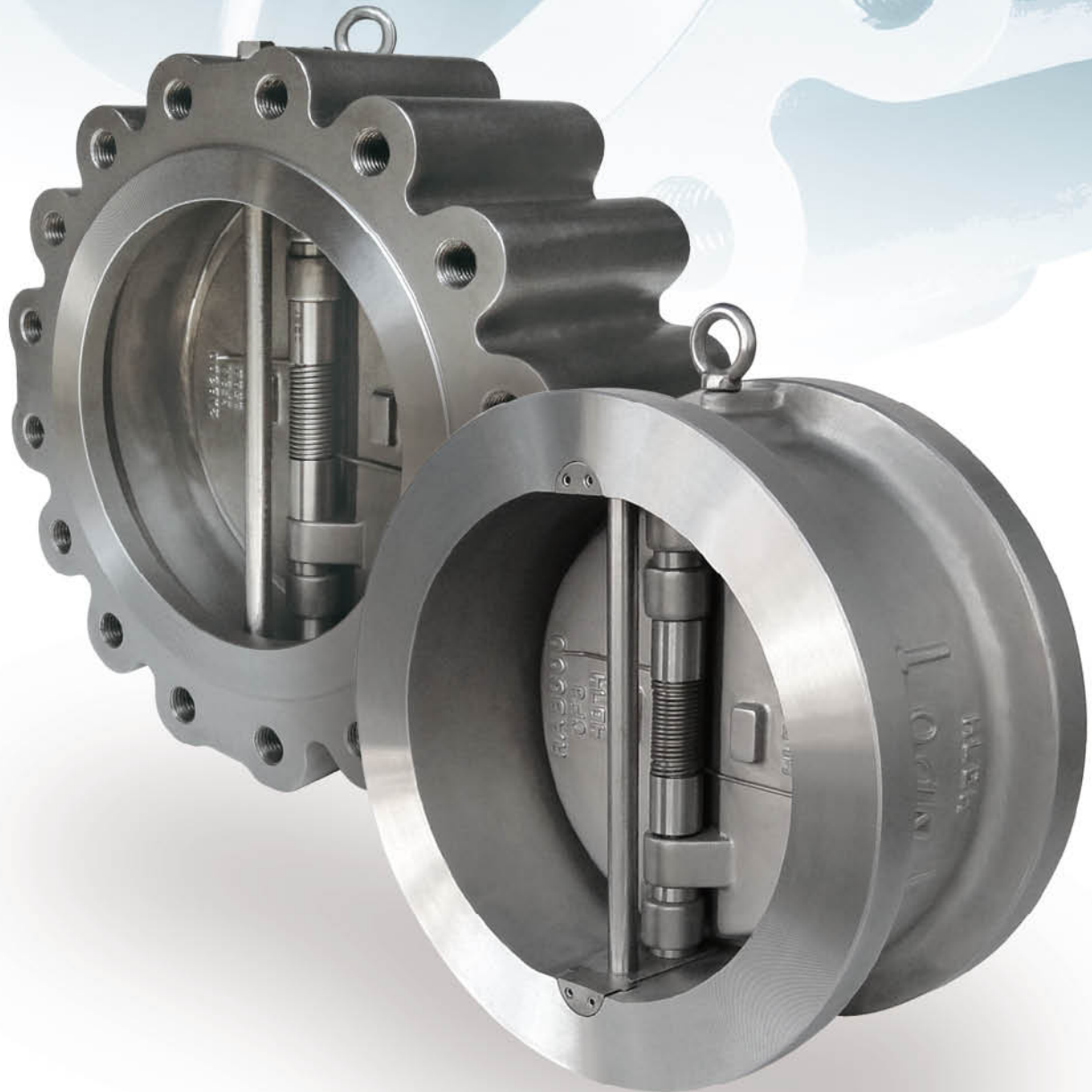


EMICO

EMICO K7 SERIES DUAL PLATE CHECK VALVE





EMICO dual plate check valves are used for backflow prevention. When pumps or compressors that generate pressure stops, flow reversal occurs and check valves are used to stop backflow in the pipeline.

EMICO supply various types of dual plate check valves:

Wafer

Lugged or Solid Lug

Flanged

All check valves are available in standard or retainerless style, metal and soft seat designs.



EMICO dual plate check valves standards:

Designed, manufactured assembled & tested to ISO 9001 Quality Assurance Systems

Valve Design: API 594, API 6D

Face to Face dimensions: API 594

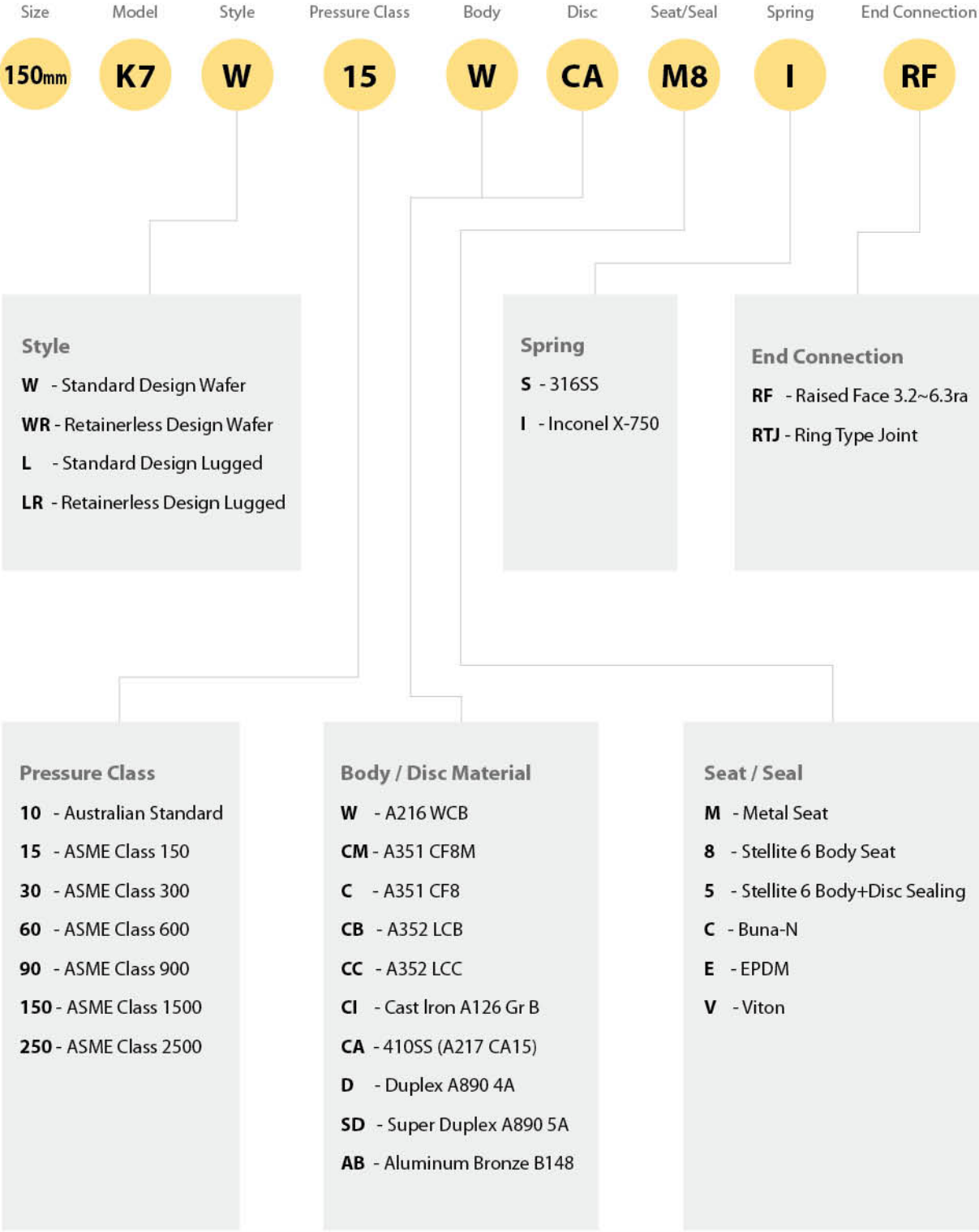
Valve Pressure Testing & Inspection: Hydrostatically tested (shell & seat) to API 598

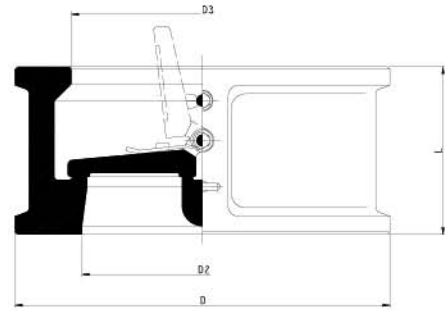
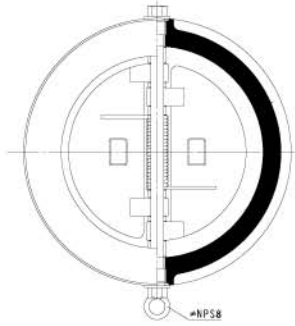
Pressure / Temperature Ratings: ASME B16.34

Certification: BS EN 10204 3.1 for body & plates



EMICO CHECK VALVE FIGURE NUMBERING SYSTEM




Class 150

Size		Dimensions (mm)				Weight (kg)
DN	NPS	L	D	D2	D3	
50	2"	60	103	51	58	2
65	2-1/2"	67	122	65	73	3
80	3"	73	135	80	88	4
100	4"	73	173	102	108	6
125	5"	86	195	127	132	8
150	6"	98	220	152	160	13
200	8"	127	277	203	210	25
250	10"	146	337	254	266	39
300	12"	181	407	305	310	58
350	14"	184	448	350	355	85
400	16"	191	512	400	405	114
450	18"	203	547	450	455	138
500	20"	219	604	500	505	163
600	24"	222	715	600	605	285

Class 900

Size		Dimensions (mm)				Weight (kg)
DN	NPS	L	D	D2	D3	
50	2"	70	140	51	58	8
65	2-1/2"	83	162	65	73	11
80	3"	83	165	80	90	14
100	4"	102	204	102	108	20
125	5"	110	245	127	136	30
150	6"	159	286	150	162	42
200	8"	206	356	200	212	84
250	10"	241	432	250	266	145
300	12"	292	495	305	312	220
350	14"	356	518	337	355	350
400	16"	384	572	387	400	470
450	18"	451	635	438	450	605
500	20"	451	695	487	496	820
600	24"	495	835	591	600	1050

Class 300

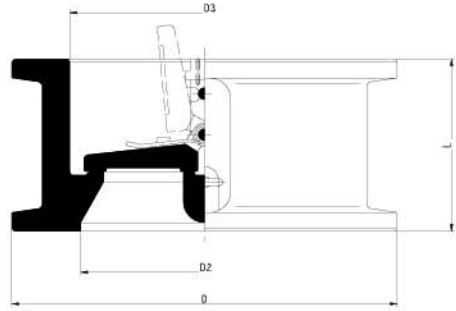
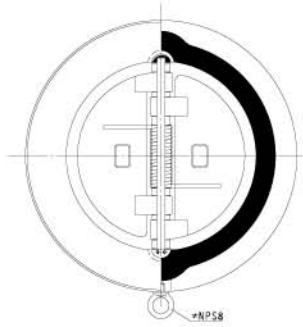
Size		Dimensions (mm)				Weight (kg)
DN	NPS	L	D	D2	D3	
50	2"	60	110	51	58	3
65	2-1/2"	67	128	65	73	4
80	3"	73	147	80	88	6
100	4"	73	179	102	108	8
125	5"	86	214	127	132	15
150	6"	98	249	152	160	18
200	8"	127	305	203	210	31
250	10"	146	359	254	266	51
300	12"	181	420	305	310	83
350	14"	222	483	350	355	117
400	16"	232	537	400	405	190
450	18"	264	594	450	455	200
500	20"	292	652	500	505	265
600	24"	318	772	600	608	410

Class 1500

Size		Dimensions (mm)				Weight (kg)
DN	NPS	L	D	D2	D3	
50	2"	70	140	51	58	8
65	2-1/2"	83	162	65	73	11
80	3"	83	172	80	90	19
100	4"	102	207	102	108	26
125	5"	110	252	127	136	51
150	6"	159	280	150	162	68
200	8"	206	350	200	212	130
250	10"	248	433	254	266	210
300	12"	305	518	305	312	384
350	14"	356	576	337	355	550
400	16"	384	639	387	400	635
450	18"	468	701	430	438	790
500	20"	533	753	478	487	1275
600	24"	559	897	570	578	2710

Class 600

Size		Dimensions (mm)				Weight (kg)
DN	NPS	L	D	D2	D3	
50	2"	60	110	51	58	4
65	2-1/2"	67	128	65	73	5
80	3"	73	147	80	88	8
100	4"	79	191	102	108	11
125	5"	105	239	127	136	20
150	6"	136	264	152	162	26
200	8"	165	318	200	212	55
250	10"	213	398	250	266	103
300	12"	229	455	305	312	140
350	14"	273	490	337	355	223
400	16"	305	562	387	400	360
450	18"	362	610	438	450	395
500	20"	368	680	489	500	518
600	24"	438	786	591	600	836


Class 150

Size		Dimensions (mm)				Weight (kg)
DN	NPS	L	D	D2	D3	
50	2"	60	103	51	61	2
65	2-1/2"	67	122	65	75	3
80	3"	73	135	80	92	4
100	4"	73	173	102	114	6
125	5"	86	195	127	140	8
150	6"	98	220	152	166	13
200	8"	127	277	203	210	25
250	10"	146	337	254	266	39
300	12"	181	407	305	310	58
350	14"	184	448	350	355	85
400	16"	191	512	400	405	114
450	18"	203	547	450	455	138
500	20"	219	604	500	505	163
600	24"	222	715	600	605	285

Class 900

Size		Dimensions (mm)				Weight (kg)
DN	NPS	L	D	D2	D3	
50	2"	70	140	51	58	8
65	2-1/2"	83	162	65	73	11
80	3"	83	165	80	90	14
100	4"	102	204	102	108	20
125	5"	110	245	127	136	30
150	6"	159	286	150	162	42
200	8"	206	356	200	212	84
250	10"	241	432	250	266	145
300	12"	292	495	305	312	220
350	14"	356	518	337	355	350
400	16"	384	572	387	400	470
450	18"	451	635	438	450	605
500	20"	451	695	487	496	820
600	24"	495	835	591	600	1050

Class 300

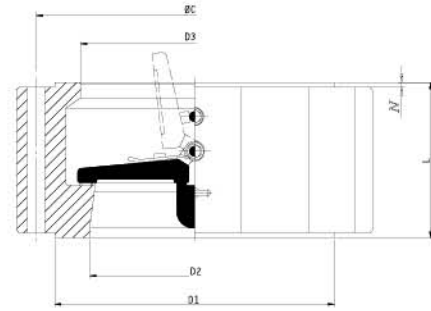
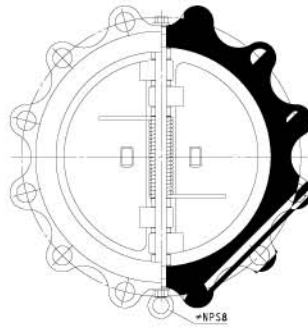
Size		Dimensions (mm)				Weight (kg)
DN	NPS	L	D	D2	D3	
50	2"	60	110	51	61	3
65	2-1/2"	67	128	65	75	4
80	3"	73	147	80	92	6
100	4"	73	179	102	114	8
125	5"	86	214	127	140	15
150	6"	98	249	152	166	18
200	8"	127	305	203	210	31
250	10"	146	359	254	266	51
300	12"	181	420	305	310	83
350	14"	222	483	350	355	117
400	16"	232	537	400	405	190
450	18"	264	594	450	455	200
500	20"	292	652	500	505	265
600	24"	318	772	600	608	410

Class 1500

Size		Dimensions (mm)				Weight (kg)
DN	NPS	L	D	D2	D3	
50	2"	70	140	51	58	8
65	2-1/2"	83	162	65	73	11
80	3"	83	172	80	90	19
100	4"	102	207	102	108	26
125	5"	110	252	127	136	51
150	6"	159	280	150	162	68
200	8"	206	350	200	212	130
250	10"	248	433	254	266	210
300	12"	305	518	305	312	384
350	14"	356	576	337	355	550
400	16"	384	639	387	400	635
450	18"	468	701	430	438	790
500	20"	533	753	478	487	1275
600	24"	559	897	570	578	2710

Class 600

Size		Dimensions (mm)				Weight (kg)
DN	NPS	L	D	D2	D3	
50	2"	60	110	51	61	4
65	2-1/2"	67	128	65	75	5
80	3"	73	147	80	92	8
100	4"	79	191	102	108	11
125	5"	105	239	127	136	20
150	6"	136	264	152	162	26
200	8"	165	318	200	212	55
250	10"	213	398	250	266	103
300	12"	229	455	305	312	140
350	14"	273	490	337	355	223
400	16"	305	562	387	400	360
450	18"	362	610	438	450	395
500	20"	368	680	489	500	518
600	24"	438	786	591	600	836


Class 150

Size		Dimensions (mm)						N	n-Ød	Weight (kg)
DN	NPS	L	ØC	D1	D2	D3				
50	2"	60	120.5	92	51	58	2	4-Ø19	4	
65	2-1/2"	67	139.5	105	65	73	2	4-Ø19	5.5	
80	3"	73	152.5	127	80	88	2	4-Ø19	7	
100	4"	73	190.5	157	102	108	2	8-Ø19	11	
125	5"	86	216.0	186	127	132	2	8-Ø22.5	15	
150	6"	98	241.5	216	152	160	2	8-Ø22.5	19	
200	8"	127	298.5	270	203	210	2	8-Ø22.5	36	
250	10"	146	362.0	324	254	266	2	12-Ø25.5	61	
300	12"	181	432.0	381	305	310	2	12-Ø25.5	119	
350	14"	184	476.0	413	350	355	2	12-Ø28.5	131	
400	16"	191	540.0	470	400	405	2	16-Ø28.5	180	
450	18"	203	578.0	533	450	455	2	16-Ø32	203	
500	20"	219	635.0	584	500	505	2	20-Ø32	275	
600	24"	222	749.5	692	600	605	2	20-Ø35	314	

Class 900

Size		Dimensions (mm)						N	n-Ød	Weight (kg)
DN	NPS	L	ØC	D1	D2	D3				
50	2"	70	165.1	92	51	58	7	8-Ø25.5	13	
65	2-1/2"	83	190.5	105	65	73	7	8-Ø28.5	18	
80	3"	83	190.5	127	80	90	7	8-Ø25.5	21	
100	4"	102	234.9	157	102	108	7	8-Ø32	36	
125	5"	110	279.4	186	127	136	7	8-Ø35	65	
150	6"	159	317.5	216	150	162	7	12-Ø32	92	
200	8"	206	393.7	270	200	212	7	12-Ø39	174	
250	10"	241	469.9	324	250	266	7	16-Ø39	264	
300	12"	292	533.4	381	305	312	7	20-Ø39	450	
350	14"	356	558.8	413	337	355	7	20-Ø42	612	
400	16"	384	615.9	470	387	400	7	20-Ø44.5	712	
450	18"	451	685.8	533	438	450	7	20-Ø51	1160	
500	20"	451	749.3	584	487	496	7	20-Ø54	1568	
600	24"	495	901.7	692	591	600	7	20-Ø66.5	1881	

Class 300

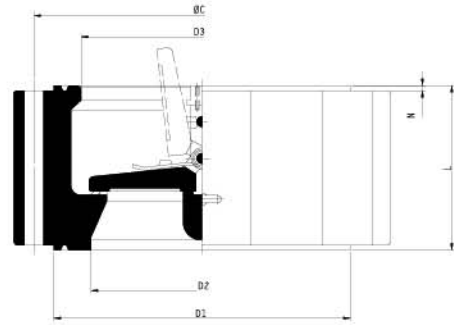
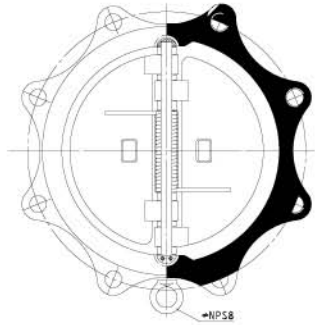
Size		Dimensions (mm)						N	n-Ød	Weight (kg)
DN	NPS	L	ØC	D1	D2	D3				
50	2"	60	127	92	51	58	2	8-Ø19	6	
65	2-1/2"	67	149	105	65	73	2	8-Ø22.5	7	
80	3"	73	168.5	127	80	88	2	8-Ø22.5	10	
100	4"	73	200	157	102	108	2	8-Ø22.5	16	
125	5"	86	235	186	127	132	2	8-Ø22.5	29	
150	6"	98	270	216	152	160	2	12-Ø22.5	32	
200	8"	127	330	270	203	210	2	12-Ø22.5	55	
250	10"	146	387.5	324	254	266	2	16-Ø28.5	82	
300	12"	181	451	381	305	310	2	16-Ø32	92	
350	14"	222	514.5	413	350	355	2	20-Ø32	251	
400	16"	232	571.5	470	400	405	2	20-Ø35	342	
450	18"	264	628.5	533	450	455	2	24-Ø35	391	
500	20"	292	686	574	500	505	2	24-Ø35	536	
600	24"	318	813	692	600	608	2	24-Ø41	833	

Class 1500

Size		Dimensions (mm)						N	n-Ød	Weight (kg)
DN	NPS	L	ØC	D1	D2	D3				
50	2"	70	165.1	92	51	58	7	8-Ø25.5	14	
65	2-1/2"	83	190.5	105	65	73	7	8-Ø28.5	19	
80	3"	83	203.2	127	80	90	7	8-Ø32	25	
100	4"	102	241.3	157	102	108	7	8-Ø35	43	
125	5"	110	292.1	186	127	136	7	8-Ø42	72	
150	6"	159	317.5	216	150	162	7	12-Ø39	101	
200	8"	206	393.7	270	200	212	7	12-Ø45	240	
250	10"	248	482.6	324	254	266	7	12-Ø51	306	
300	12"	305	571.5	381	305	312	7	16-Ø54	541	
350	14"	356	635	413	337	355	7	16-Ø61	932	
400	16"	384	704.8	470	387	400	7	16-Ø66.5	980	
450	18"									
500	20"									
600	24"									

Class 600

Size		Dimensions (mm)						N	n-Ød	Weight (kg)
DN	NPS	L	ØC	D1	D2	D3				
50	2"	60	127	92	51	58	7	8-Ø19	6.5	
65	2-1/2"	67	149	105	65	73	7	8-Ø22.5	8	
80	3"	73	168.5	127	80	88	7	8-Ø22.5	10	
100	4"	79	216	157	102	108	7	8-Ø25.5	21	
125	5"	105	266.5	186	127	136	7	8-Ø28.5	41	
150	6"	136	292	216	152	162	7	12-Ø28.5	57	
200	8"	165	349	270	200	212	7	12-Ø32	94	
250	10"	213	432	324	250	266	7	16-Ø35	164	
300	12"	229	489	381	305	312	7	20-Ø35	213	
350	14"	273	527	413	337	355	7	20-Ø38	343	
400	16"	305	603	470	387	400	7	20-Ø41	476	
450	18"	362	654	533	438	450	7	20-Ø44.5	658	
500	20"	368	724	584	489	500	7	24-Ø44.5	908	
600	24"	438	838	692	591	600	7	24-Ø51	1088	


Class 150

Size		Dimensions (mm)					N	n-Ød	Weight (kg)
DN	NPS	L	ØC	D1	D2	D3			
50	2"	60	120.5	92	51	61	2	4-Ø19	4
65	2-1/2"	67	139.5	105	65	75	2	4-Ø19	5.5
80	3"	73	152.5	127	80	92	2	4-Ø19	7
100	4"	73	190.5	157	102	108	2	8-Ø19	11
125	5"	86	216.0	186	127	132	2	8-Ø22.5	15
150	6"	98	241.5	216	152	160	2	8-Ø22.5	19
200	8"	127	298.5	270	203	210	2	8-Ø22.5	36
250	10"	146	362.0	324	254	266	2	12-Ø25.5	61
300	12"	181	432.0	381	305	310	2	12-Ø25.5	119
350	14"	184	476.0	413	350	355	2	12-Ø28.5	131
400	16"	191	540.0	470	400	405	2	16-Ø28.5	180
450	18"	203	578.0	533	450	455	2	16-Ø32	203
500	20"	219	635.0	584	500	505	2	20-Ø32	275
600	24"	222	749.5	692	600	605	2	20-Ø35	314

Class 300

Size		Dimensions (mm)					N	n-Ød	Weight (kg)
DN	NPS	L	ØC	D1	D2	D3			
50	2"	60	127	92	51	61	2	8-Ø19	6
65	2-1/2"	67	149	105	65	75	2	8-Ø22.5	7
80	3"	73	168.5	127	80	88	2	8-Ø22.5	10
100	4"	73	200	157	102	108	2	8-Ø22.5	16
125	5"	86	235	186	127	132	2	8-Ø22.5	29
150	6"	98	270	216	152	160	2	12-Ø22.5	32
200	8"	127	330	270	203	210	2	12-Ø25.5	55
250	10"	146	387.5	324	254	266	2	16-Ø28.5	82
300	12"	181	451	381	305	310	2	16-Ø32	92
350	14"	222	514.5	413	350	355	2	20-Ø32	251
400	16"	232	571.5	470	400	405	2	20-Ø35	342
450	18"	264	628.5	533	450	455	2	24-Ø35	391
500	20"	292	686	584	500	505	2	24-Ø35	536
600	24"	318	813	692	600	608	2	24-Ø41	833

Class 600

Size		Dimensions (mm)					N	n-Ød	Weight (kg)
DN	NPS	L	ØC	D1	D2	D3			
50	2"	60	127	92	51	61	7	8-Ø19	6.5
65	2-1/2"	67	149	105	65	75	7	8-Ø22.5	8
80	3"	73	168.5	127	80	88	7	8-Ø22.5	10
100	4"	79	216	157	102	108	7	8-Ø25.5	21
125	5"	105	266.5	186	127	136	7	8-Ø28.5	41
150	6"	136	292	216	152	162	7	12-Ø28.5	57
200	8"	165	349	270	200	212	7	12-Ø32	94
250	10"	213	432	324	250	266	7	16-Ø35	164
300	12"	229	489	381	305	312	7	20-Ø35	213
350	14"	273	527	413	337	355	7	20-Ø38	343
400	16"	305	603	470	387	400	7	20-Ø41	476
450	18"	362	654	533	438	450	7	20-Ø44.5	685
500	20"	368	724	584	489	500	7	24-Ø44.5	908
600	24"	438	838	692	591	600	7	24-Ø51	1088

OTHER TYPES OF CHECK VALVES



Double Flanged Dual Plate Check Valve



Wafer Type Single Disc Swing Check Valve



Wafer Type Single Plate Swing Check Valve



Wafer Type Spring Check Valve



Lift Type Flanged Check Valve



Swing Type Flanged Check Valve

EMICO

EAYUAN METAL INDUSTRIAL CO., LTD.

Taiwan Head Office:

16F-8, No. 386, Shizheng Rd., Xitun Dist., Taichung City 407, Taiwan

Ph : 886-4-2259-1616

Fax: 886-4-2259-6116 886-4-2259-6117

E-mail: emico@ms4.hinet.net

Website: www.emico.com.tw

Reasonable care has been taken to ensure accuracy of the material in this brochure.
EMICO recommends that you verify any information with your independent expert and rely solely on that expert's advice.
EMICO expressly disclaims any and all liability whatsoever.