

PRODUCT NAME

Flameproof Valve Monitor

MODEL NO.

ALS500PP22

DESCRIPTION OF THE PRODUCT

The ALS500PP22 series flameproof valve monitor is a rotary position indication device in HAZARDOUS area(Ex d IIB T6). Armed with inductive sensors this device can sense mechanical position (on/off) of the valve for remote PLC or PC indication. The visual indicator on the top of the device can also clearly display the valve position for local detection.

APPROVED BY



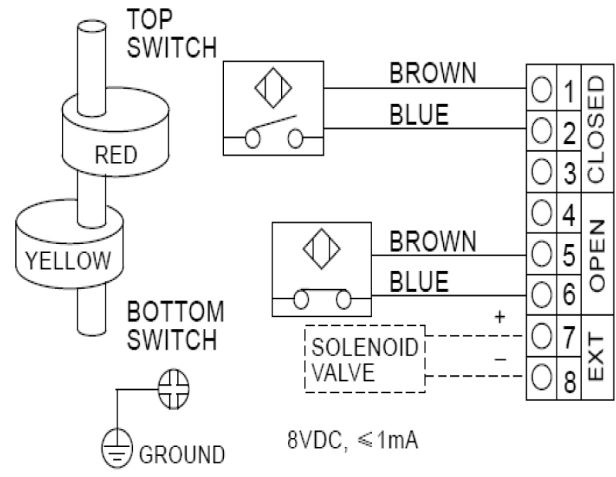
IP66



SPECIFICATIONS AND TECHNICAL DATA

Enclosure	Die-casting aluminum: O-ring sealed
Coating	Dichromate conversion with polyester powder coating
O-rings	Buna N
Environment	NEMA 4, 4X, 7, 8 IP66
Area Classification	Class I , Div.1&2, Groups C and D, Ex d IIB T6
Fasteners	Stainless steel
Shaft	Stainless steel Namur
Conduit Entries	Two 1/2" BSPP
Terminal Strip Contacts	8
Mounting Bracket	MB - 3.4: 30 x 80, 130 H:20, 30 (Carbon steel)
Temperature Rating	-20°C-85°C

WIRING DIAGRAM(2-wire)



Sensor: p+f NCB2-V3-No inductive sensor NAMUR (2 wire)

Model No.	PP22
Operating Voltage	8DCV, <=1mA
Operating Temp.	-25°C-85°C
Area Classification	Ex ia II CT6



DRAWING AND DIMENSION

