

PRODUCT NAME
Flameproof Valve Monitor
MODEL NO.
ALS400M2
DESCRIPTION OF THE PRODUCT

The ALS400M2 series flameproof valve monitor is a rotary position indication device in HAZARDOUS area(Ex d IIC T6). Armed with mechanical switch, this device can sense valve position (on/off) for remote PLC or PC indication. The visual indicator on the top of the device can also clearly display the valve position for local detection.

APPROVED BY

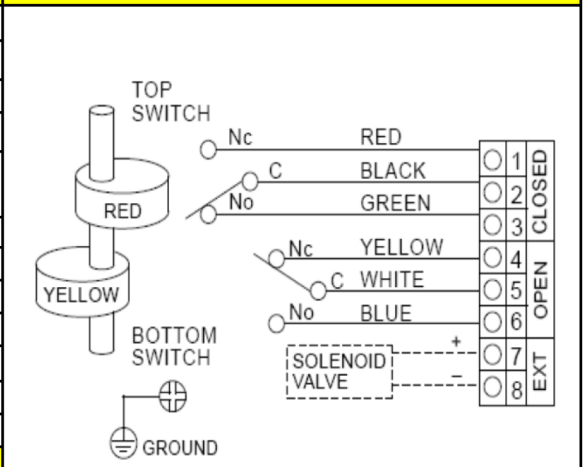
    **IP66**



SPECIFICATIONS AND TECHNICAL DATA

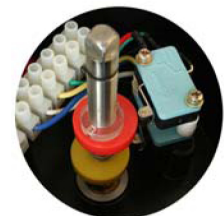
Enclosure	Die-casting aluminum: O-ring sealed
Coating	Dichromate conversion with polyester powder coating
O-rings	Buna N
Environment	NEMA 4, 4X, 7, 8 IP66
Area Classification	Class I, Div.1&2, Groups A,B,C and D, Ex d IIC T6 Ex II 2G Ex d IIC T6
Fasteners	Stainless steel
Shaft	Stainless steel Namur
Conduit Entries	Two 1/2" BSPP Also available with two 1/2" or 3/4" NPT, 3/4" BSPP M20-1.5
Terminal Strip Contacts	8
Mounting Bracket	MB - 3.4: 30 x 80, 130 H:20, 30 (Carbon steel)
Temperature Rating	-20°C-85°C

WIRING DIAGRAM



Sensor: 2 SPDT Honeywell Mechanical Switches

Model No.	M2
Operating Voltage	Max: 15A125-250 VAC
Operating Temp.	-25°C-85°C



DRAWING AND DIMENSION

