

BURKERT 3/2-WAY 6519 SOLENOID VALVE FOR AGA-CERTIFIED EMICO ACTUATED BALL VALVES.

Option 1: General Purpose

6519 24vt UC IP65 standard version with stainless steel G1/4 porting without manual override
Part no. 169117 this will be supplied complete with an IP65 din plug. Details below

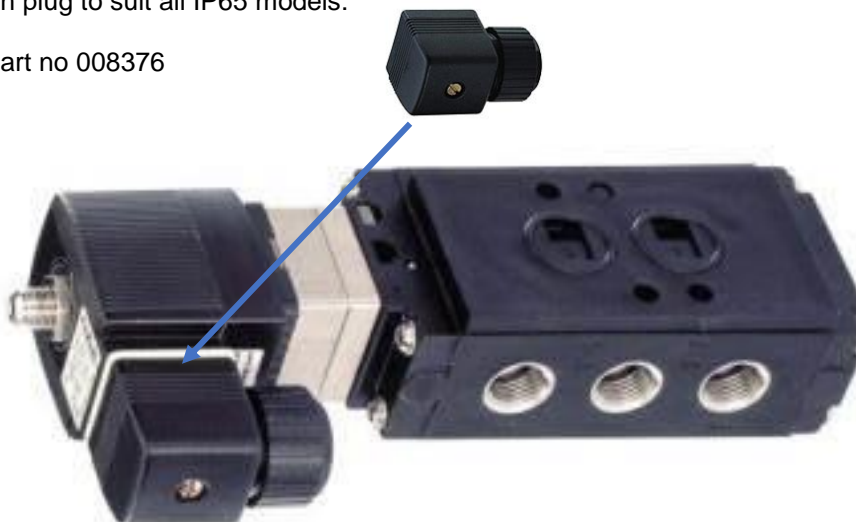
| charact | material description | value | material description |
|----------|----------------------|-------|--|
| TYP_0009 | Type | 6519 | 6519 |
| WW | Circuit function | W | alternatively 5/2-ways or 3/2-ways |
| DN | Orifice size | 06,0 | 6,0mm (1/4") |
| LTA1 | Port connection P/R | GM82 | G1/4 threaded port |
| LTA2 | Port connection A/B | FS05 | flange pattern: lateral NAMUR-flange |
| BA | Mode of actuation | B | electropneumatic / air-spring + mech. spring |
| SG | Coil size | 5 | 32 mm |
| SP | Voltage | 024 | 24 volts |
| FR | Frequency | DC | DC |
| LEIS | Power consumption | 02 | 2 watt |

6519 240vt AC IP65 standard version with stainless steel G1/4 porting without manual override
Part no. 430783 this will be supplied complete with an IP65 din plug. Details below

| charact | material description | value | material description |
|----------|----------------------|-------|--|
| TYP_0009 | Type | 6519 | 6519 |
| WW | Circuit function | W | alternatively 5/2-ways or 3/2-ways |
| DN | Orifice size | 06,0 | 6,0mm (1/4") |
| LTA1 | Port connection P/R | GM82 | G1/4 threaded port |
| LTA2 | Port connection A/B | FS05 | flange pattern: lateral NAMUR-flange |
| BA | Mode of actuation | B | electropneumatic / air-spring + mech. spring |
| SG | Coil size | 5 | 32 mm |
| SP | Voltage | 230 | 230 volts |
| FR | Frequency | 56 | 50-60 Hz |
| LEIS | Power consumption | 02 | 2 watt |

Din plug to suit all IP65 models:

Part no 008376



Option 2: Explosion proof

6519 series EXmb explosion proof version **24 VT UC** with stainless steel G1/4 ports without manual override

Part no. 289419 will be supplied complete with M20 cable gland. Details below

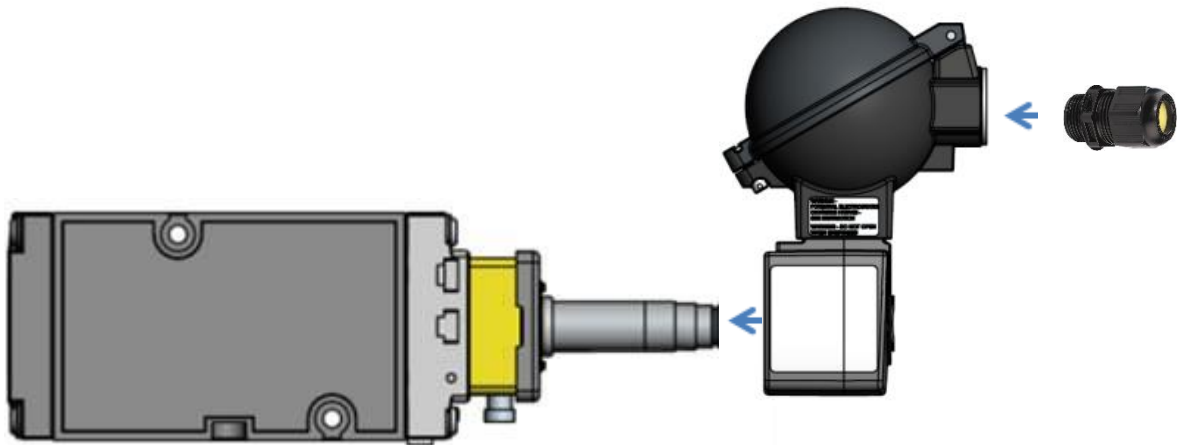
| charact | material description | value | material description |
|----------|----------------------|-------|--|
| TYP_0009 | Type | 6519 | 6519 |
| WW | Circuit function | W | alternatively 5/2-ways or 3/2-ways |
| DN | Orifice size | 06,0 | 6,0mm (1/4") |
| LTA1 | Port connection P/R | GM82 | G1/4 threaded port |
| LTA2 | Port connection A/B | FS05 | flange pattern: lateral NAMUR-flange |
| BA | Mode of actuation | B | electropneumatic / air-spring + mech. spring |
| SG | Coil size | 6 | 40 mm |
| SP | Voltage | 024 | 24 volts |
| FR | Frequency | UC | AC/DC |
| LEIS | Power consumption | AQ | 1,8 watt |
| VAR1 | Special Feature | GB11 | thread sleeves made of SS |
| VAR2 | | HA01 | without manual override |
| VAR3 | | JA12 | Ex-Junction Box PTB 15 ATEX 1011 U/ IECEx PTB 15.0037U, Ex "eb"/"tb", 2G IIC/2D IIIC, without fuse |
| VAR4 | | PX26 | Approval PTB 14 ATEX 2023 X/ IECEx PTB 14.0049X, Ex "mb", 2G IIC/2D IIIC, SG6, T6, Tamb -40°C/ 60°C, 1,8W, 10-160mA, single mounting |
| VAR5 | | PX42 | Approv. EPS 16 ATEX 1046 X / IECEx EPS 16.0021X, coil assembly AC10Ex with junction box JA12 |

6519 series EXmb explosion proof version **240vt AC** , stainless steel G1/4 without manual override

Part no. 289417 will be supplied complete with M20 cable gland. Details below

| charact | material description | value | material description |
|----------|----------------------|-------|--|
| TYP_0009 | Type | 6519 | 6519 |
| WW | Circuit function | W | alternatively 5/2-ways or 3/2-ways |
| DN | Orifice size | 06,0 | 6,0mm (1/4") |
| LTA1 | Port connection P/R | GM82 | G1/4 threaded port |
| LTA2 | Port connection A/B | FS05 | flange pattern: lateral NAMUR-flange |
| BA | Mode of actuation | B | electropneumatic / air-spring + mech. spring |
| SG | Coil size | 6 | 40 mm |
| SP | Voltage | 230 | 230 volts |
| FR | Frequency | UC | AC/DC |
| LEIS | Power consumption | AQ | 1,8 watt |
| VAR1 | Special Feature | HA01 | without manual override |
| VAR2 | | JA12 | Ex-Junction Box PTB 15 ATEX 1011 U/ IECEx PTB 15.0037U, Ex "eb"/"tb", 2G IIC/2D IIIC, without fuse |
| VAR3 | | PX26 | Approval PTB 14 ATEX 2023 X/ IECEx PTB 14.0049X, Ex "mb", 2G IIC/2D IIIC, SG6, T6, Tamb -40°C/ 60°C, 1,8W, 10-160mA, single mounting |
| VAR4 | | PX42 | Approv. EPS 16 ATEX 1046 X / IECEx EPS 16.0021X, coil assembly AC10Ex with junction box JA12 |
| VAR5 | | Z721 | Speciality for BC-AU |

773277 cable gland unit which will be supplied on assembly



Pic: Burkert 6519 solenoid valve NAMUR mounted to EMICO SR Actuator

