



## 3/2, 5/2, 5/2 bistable and 5/3 way pneumatic solenoid valve

- Single or block mounting
- Suitable for outdoor and chemical atmospheres
- Suitable for low temperatures
- Explosion-proof versions
- Threaded or NAMUR flange connections

Type 6518/6519 can be combined with...



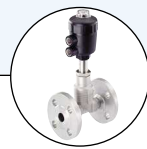
**Type 2508**  
Cable plug



**Type 2513**  
Cable plug  
(ATEX Cat. 3 GD)



**Type 2510/11**  
Cable plug ASI



**Type 2012**  
Single seat valve



**Type 2030**  
Diaphragm valve

The Type 6518 is a servo-assisted 3/2 way valve and the Type 6519 is a 5/2 or 5/3 way valve. Together, they form a product line. The valves can be used individually or in blocks. The valves work without a continuous air consumption and are used for the pneumatic control of double or single-acting actuators. A solenoid valve Type 6014 is used as a pilot. The use of high quality materials makes it possible to use these valves in the open air and under chemical atmospheres. The product line contains units with Ex-Approvals and NAMUR flange interface.

### Content 6518/6519

### Page

#### 6518/6519 Standard temperature range

<b>6518/6519</b>	Standard	2
	Ex m	3
	Ex i	4
<b>6519 NAMUR</b>	Standard	5
	Ex m	6
	Ex i	7
<b>Manifold assembly with MP07 pneumatic modules</b>		8
<b>Accessories</b>		10
<b>Dimensions</b>		12

#### 6519 with extended temperature range

<b>6519</b>	Standard	20
	Ex m	22
	Ex i	24
<b>6519 NAMUR</b>	Standard	26
	Ex m	28
	Ex i	30
<b>Accessories</b>		32
<b>Dimensions</b>		34

**Type 6519 NAMUR Ex m (with moulded cable) or Ex me (with junction box)**

The maximum fluid temperature may never exceed the permissible temperature class (T4 135 °C, T5 100 °C, T6 85 °C) minus 5K.



Type 6519 NAMUR Ex m

Type 6519 NAMUR Ex m NAMUR valve for process plants switches reliably, even when fully restricted. The valve made out of premium polyamide can be operated either as a 5/2 or a 3/2 way version through different mounting plates. The solenoid valve Type 6014 with a coil approved for use in hazardous areas is connected as a pilot. The NAMUR flange interface allows easy assembly on different pneumatic actuators on the spot.

The valve bodies are identical with the Type 6519 NAMUR standard version. The difference between the valves is in the coils, which are laid out and approved in different ways. By changing the coil on the valve body, it is possible to easily convert from Non-Ex operation to Ex operation (or vice versa). Coil versions with moulded cable are designed to be push-over and can be locked in 4 × 90° displaced positions and be positioned any where in-between.

Technical data	
<b>Orifice</b>	DN6 mm
<b>Body material</b>	Pilot and main valve Polyamide, reinforced glass-fibre
<b>Threaded socket material</b>	Brass (stainless steel on request)
<b>Seal material</b>	NBR and PUR
<b>Medium</b>	Neutral medium, e.g. lubricated or non-lubricated compressed air
<b>Compressed air quality</b>	ISO 8573-1:2010, Class 7.4.4*
<b>Medium temperature</b>	- 10 °C to + 50 °C
<b>Ambient temperature</b>	- 25 °C to + 50 °C
<b>Pneumatic connection</b>	Supply port connection 1, 3, 5 Service port 2, 4 Thread G ¼, (on request NPT ¼) NAMUR Flange
<b>Operating voltages</b>	24/ 110/ 230 V/UC
<b>Voltage tolerance</b>	+ 10 %
<b>Duty cycle</b>	100% continuous operation
<b>Electrical connection</b>	3 m cable, moulded junction box (without fuse)
<b>Type of protection</b>	IP65
<b>Approvals</b>	Coil PTB 14 ATEX 2023 X / IECEx PTB 14.0049 X II 2G Ex mb IIC T5 Gb II 2D Ex mb IIIC T 100 °C Db EPS16 ATEX 1046 X / IECEx EPS 16.0021 X II 2G EX eb mb IIC T5 Gb II 2D EX mb tb IIIC T100 °C Db
Junction box	
<b>Installation</b>	As required, preferably with actuator upright

\* To prevent freezing of the expanded compressed air, the pressure dew point must be at least 10 K lower than the temperature of the medium.

Response times <sup>1)</sup>	
Opening	20 [ms]
Closing	40 [ms]

<sup>1)</sup> Measured at valve outlet at 6 bar and + 20 °C acc. to ISO 12238.  
Opening: Pressure rise 0 to 90%,  
Closing: Pressure drop 100 to 10 %

**Ordering chart with manual override (without manual override on request)**

Circuit function	Orifice [mm]	Seal material and body	Material sockets <sup>1)</sup>	Threaded port connection [inch]	Q <sub>90</sub> value Luft <sup>2)</sup> [l/min]	Pressure range <sup>3)</sup> [bar]	Weight [g]	Electrical Nominal power [W]	Voltage/Frequency [V/Hz]	Article no.	
<b>W</b> 	<b>Version acc. to Ex m, with moulded 3 m-cable</b>										
	6.0	NBR and PUR	Stainless steel	G ¼	900	2-8	650	3	024/UC	278231	
									110/UC	278234	
									230/UC	278237	
	or	6.0	NBR and PUR	Brass, nickel plated	G ¼	900	2-8	650	3	024/UC	278228
										110/UC	278235
230/UC										278239	
<b>W</b> 	<b>Version acc. to Ex me, with junction box without fuse</b>										
	6.0	NBR and PUR	Stainless steel	G ¼	900	2-8	690	3	024/UC	289407	
									230/UC	289415	
									024/UC	289406	
	5/2 or 3/2 way solenoid valve, with removable disk and manual override	6.0	NBR and PUR	Brass, nickel plated	G ¼	900	2-8	690	3	110/UC	289412
										230/UC	289414

<sup>1)</sup> When the connecting sockets are made of stainless steel, then the mounting screws are also made of stainless steel

x on request

<sup>2)</sup> Flow rate: Q<sub>90</sub> value air [l/min]: Measured at + 20 °C, 6 bar pressure at valve inlet and 1 bar pressure difference



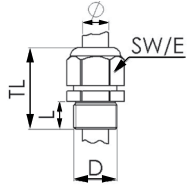


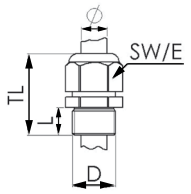
<sup>3)</sup> Pressure values [bar]: Overpressure with respect to atmospheric pressure

All valves can be operated in circuit function C as well as in circuit function H. By replacing the adapter plate that comes with the valves, the change between the two circuit functions can be set up.

Accessories (continued)

Ex-Cable glands

(polyamide version included in delivery / surcharge applied for brass nickel plated version)

Photo	Description	Ex Approvals		Article no	Drawing										
		Certification	Identifica-tion												
	Brass, nickel-plated, 6-13 mm	PTB 04 ATEX 1112 X, IECEx PTB 13.0027X	II 2 G Ex e IIC Gb, II 2 D Ex tb IIIC Db IP68,	773278 	 <table border="1"> <tr><td>TL</td><td>29-37 mm</td></tr> <tr><td>L</td><td>6 mm</td></tr> <tr><td>D</td><td>20</td></tr> <tr><td>SW</td><td>24 mm</td></tr> <tr><td>E</td><td>27 mm</td></tr> </table>	TL	29-37 mm	L	6 mm	D	20	SW	24 mm	E	27 mm
TL	29-37 mm														
L	6 mm														
D	20														
SW	24 mm														
E	27 mm														
	Polyamide, 7-13 mm	PTB 13 ATEX 1015 X, IECEx PTB 13.0034X	II 2 G Ex e IIC Gb, II 2 D Ex tb IIIC Db IP68	773277 	 <table border="1"> <tr><td>TL</td><td>36-45 mm</td></tr> <tr><td>L</td><td>10 mm</td></tr> <tr><td>D</td><td>20</td></tr> <tr><td>SW</td><td>24 mm</td></tr> <tr><td>E</td><td>28 mm</td></tr> </table>	TL	36-45 mm	L	10 mm	D	20	SW	24 mm	E	28 mm
TL	36-45 mm														
L	10 mm														
D	20														
SW	24 mm														
E	28 mm														

Special tool to turn the junction box (not included in delivery)

Photo	Description	Article no.
	Set SC02-AC10 Special wrench Service Manual	293488 

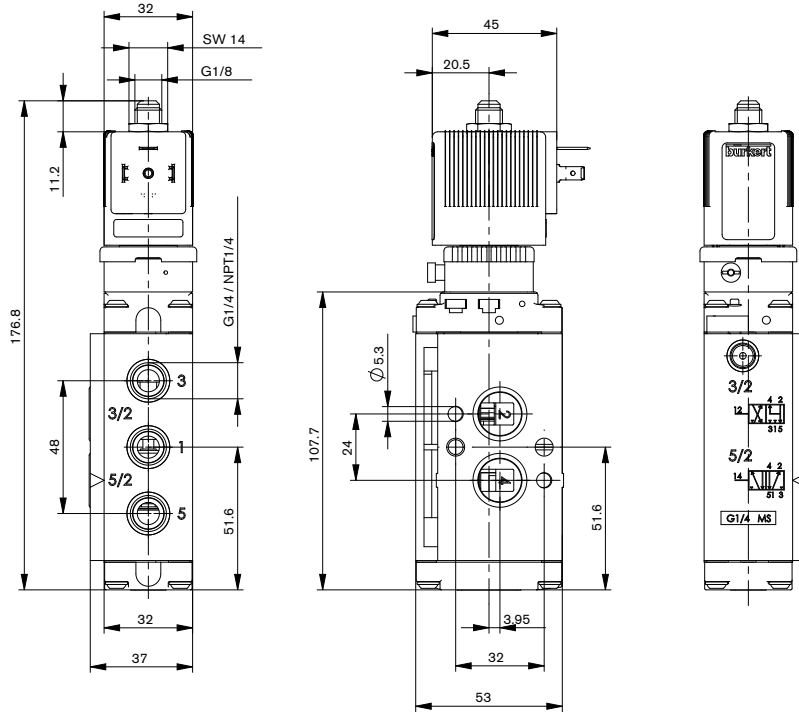
DTS 1000011067 EN Version: P Status: RL (released | freigegeben | valide) printed: 24.01.2018

## Dimensions [mm]

## NAMUR Standard version

## Type 6519

3/2 way valve, circuit function C or 5/2 way valve, circuit function H

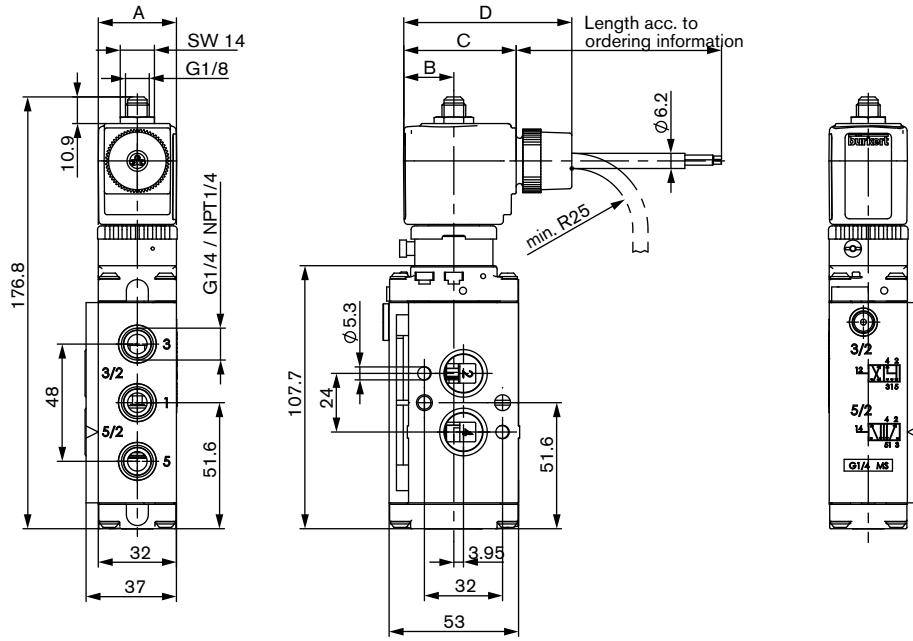


Dimensions [mm]

NAMUR Ex m/me version

**Type 6519**  
**3/2 way valve, circuit function C or 5/2 way valve, circuit function H**

**with moulded cable (3 m long) (Ex m)**



Coil size	A	B	C	D	E	F
5	32	20.5	46	68.8	99.8	174.7
6	40	23.5	52	74.8	102.8	177.7

**with junction box (Ex me)**

