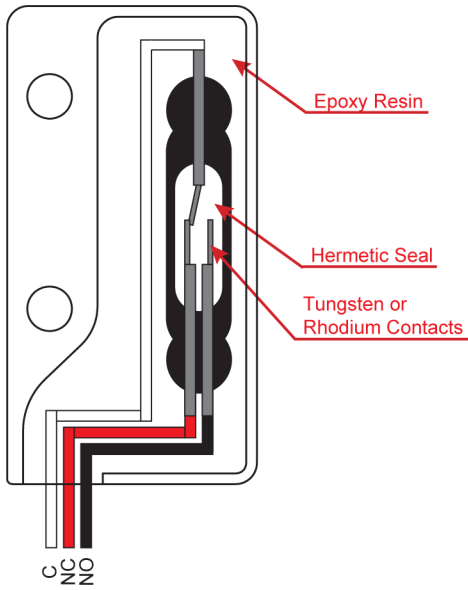


# Hermetically Sealed Proximity Switch



## MS-100 / 110

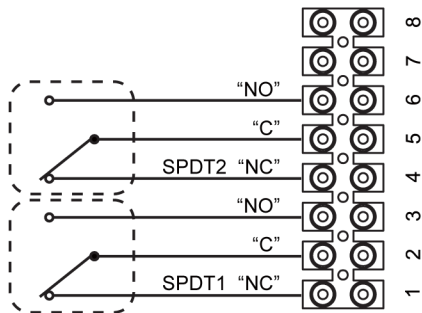
### SPECIFICATION

Contact Form	SPDT, Form C	
Contact Material	Tungsten	
Operating Time	Max.	3.0 ms
Contact Resistance	Max.	0.5 Ohms
Seal	Hermetic	
Housing	PC	
Operating Temperature Range	Deg.	MS100: -40 ... 130 °C MS110: -60 ... 125 °C

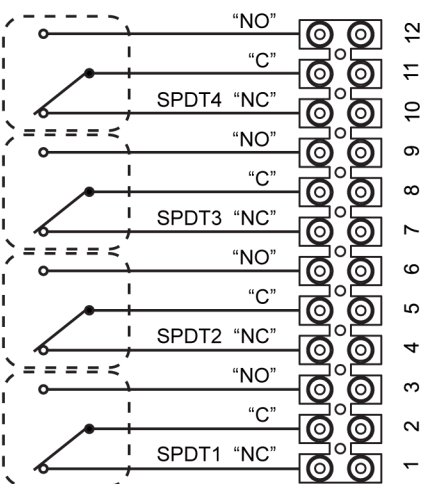
### Electrical Rating

2A / 24VDC	3A / 120VAC	1.5A / 240VAC
------------	-------------	---------------

2 x SPDT switch



4 x SPDT switch



## MS-25

### SPECIFICATION

Contact Form	SPDT, Form C	
Contact Material	Rhodium	
Operating Time	Max.	3.0 ms
Contact Resistance	Max.	0.5 Ohms
Seal	Hermetic	
Housing	PC	
Operating Temperature Range	Deg.	-40°C ... 130°C

### Electrical Rating

1A / 24VDC	0.2A / 120VAC
------------	---------------

### Dimensions

