

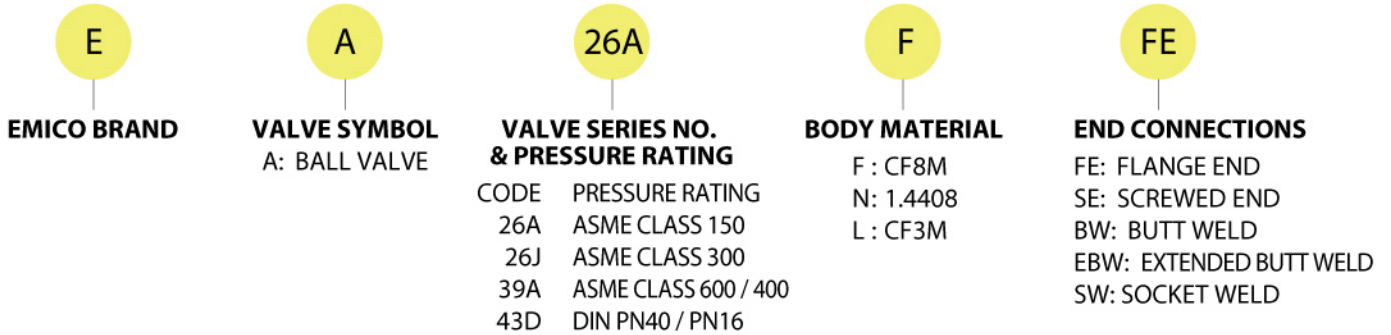
# EMICO

**EMICO CRYOGENIC BALL VALVES**





## CRYOGENIC BALL VALVE FIGURE NUMBERING SYSTEM



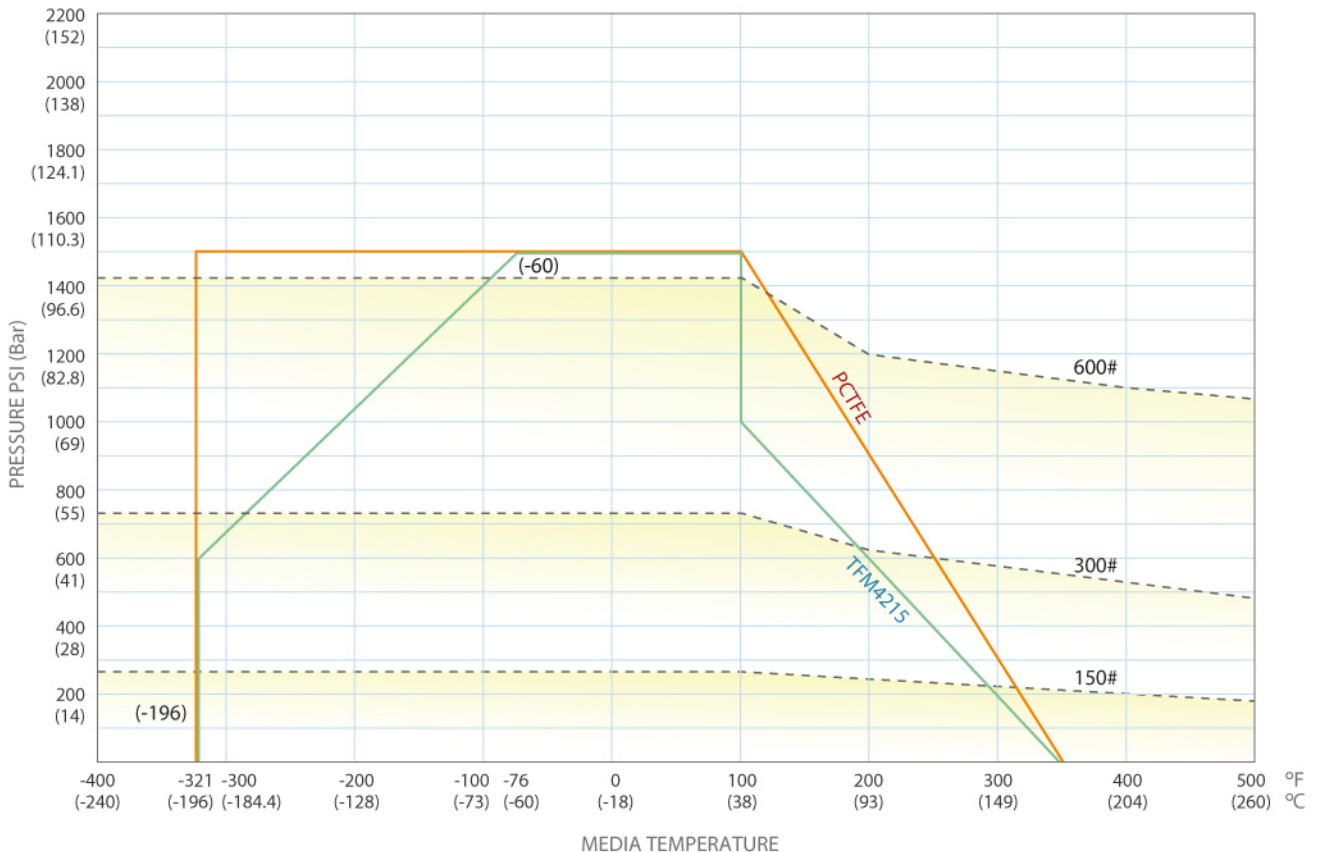
### Technical Summary

- Size: 1/2" ~ 8" (DN15 ~ DN200)
- Construction: Uni-Directional, Full Port
- Typical Service: LNG, Oxygen, Nitrogen
- Temperature: Down to -196 °C
- Material: Stainless Steel
- Connection End:  
Flanged ASME class 150/ 300/600, DIN PN40/16  
Screwed End, Butt Weld, Extended Butt Weld, Socket Weld
- Operation:  
Lever, Gear Operator, Pneumatic or Electrical Actuator

### Applicable Standard

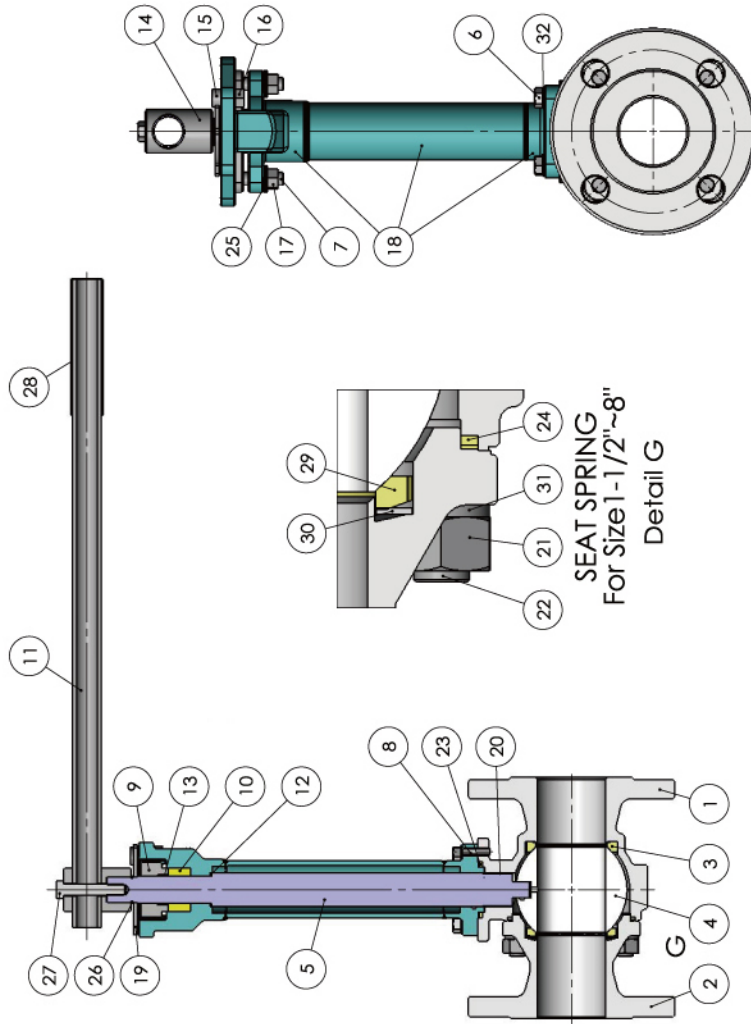
- Valve Design: ASME B16.34, API 608
- Cryogenic Test: BS 6364
- Pressure Test: API 598
- Fire Safe: API 607
- Fugitive Emission Test: ISO 15848

### PRESSURE & TEMPERATURE RATING





## EA26A CRYOGENIC BALL VALVES



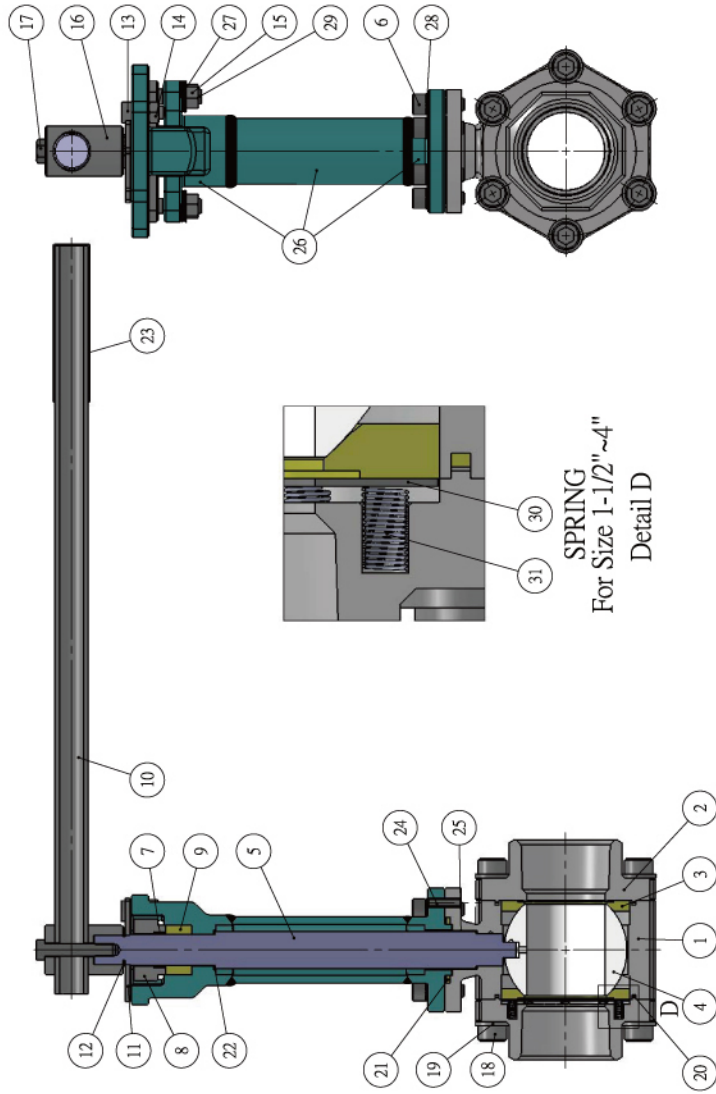
### Material List

NO.	Part Name	Material
1	Body	A351-CF8M
2	End Cap	A351-CF8M
3	Downstream Seat	PCTFE / TFM4215
4	Ball	A351-CF8M
5	Stem	17-4PH
6	Hex. Bolt	A193-B8M
7	Hex. Bolt	A194-8M
8	Spring Pin	SPRING STEEL
9	Gland Flange	A351-CF8
10	Packing	GRAPHITE
11	Pipe	SUS 304
12	Thrust Washer	PCTFE
13	Stem Bearing	PTFE
14	T-Block	A351-CF8
15	Stop Screw	SUS 304
16	Stop Nut	SUS 304
17	Gland Nut	A194-8M
18	Bracket	CF3M / TP316L
19	Stop Plate	SUS 304
20	Bearing	304+PTFE
21	Stud	A193-B8M
22	Nut	A194-8M
23	Bonnet Gasket	GRAPHITE
24	Body Gasket	GRAPHITE
25	Disc Spring	SUS 301
26	Snap Ring	SUS 420
27	Hex. Bolt	SUS304
28	Pipe Cover	VINYL
29	Upstream Seat	PCTFE / TFM4215
30	Seat Spring	XM-19
31	Spring Washer	SUS304
32	Spring Washer	SUS304

※ ISO 15848 Packing Material: Flexible Graphite Reinforced by Wire Mesh.



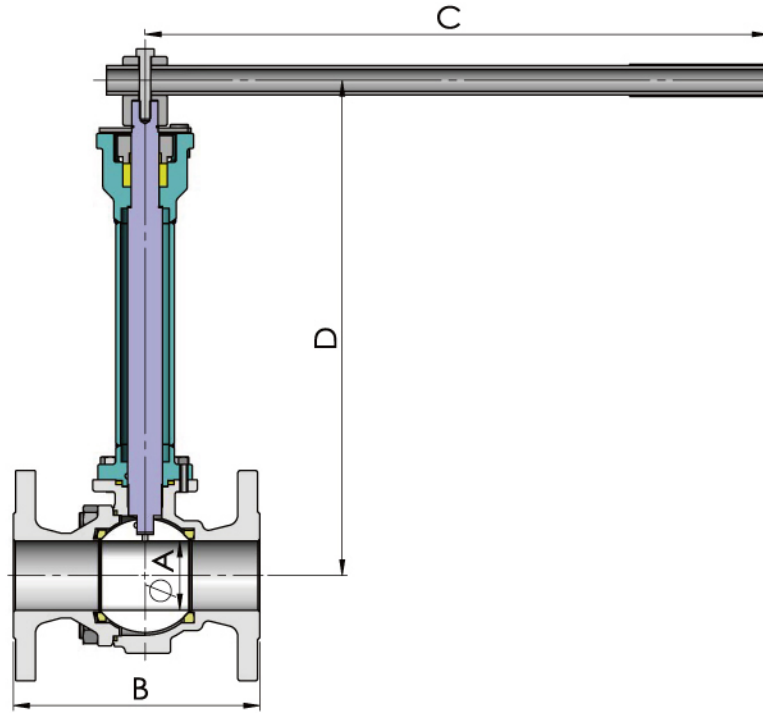
## EA39A CRYOGENIC BALL VALVES



Material List

NO.	Part Name	Material
1	Body	A351-CF8M
2	End Cap	A351-CF8M
3	Seat	PCTFE / TFM4215
4	Ball	A351-CF8M
5	Stem	17-4PH
6	Socket Head Bolts	A2-70
7	Stem Bearing	PTFE
8	Gland Flange	A351-CF8
9	Packing	GRAPHITE
10	Pipe	SUS 304
11	Stop Plate	SUS 304
12	Snap Ring	SUS 420
13	Stop Screw	SUS 304
14	Stop Nut	SUS 304
15	Gland Nut	A194-8M
16	T-Block	A351-CF8
17	Hex. Bolt	SUS 304
18	Socket Head Bolts	A2-70
19	Spring Washer	SUS 304
20	Body Seal	GRAPHITE
21	Bonnet Gasket	GRAPHITE
22	Thrust Washer	PCTFE
23	Pipe Cover	VINYL
24	Spring Pin	SPRING STEEL
25	Bearing	304+PTFE
26	Bracket	CF3M / TP316L
27	Disc Spring	SUS 301
28	Spring Washer	SUS 304
29	Hex. Bolt	A193-B8
30	Seat Plate	SUS 316
31	Spring	INCONEL X-750

※ ISO 15848 Packing Material: Flexible Graphite Reinforced by Wire Mesh.


**EMICO FIG EA 26A ASME CLASS 150 FULL BORE**

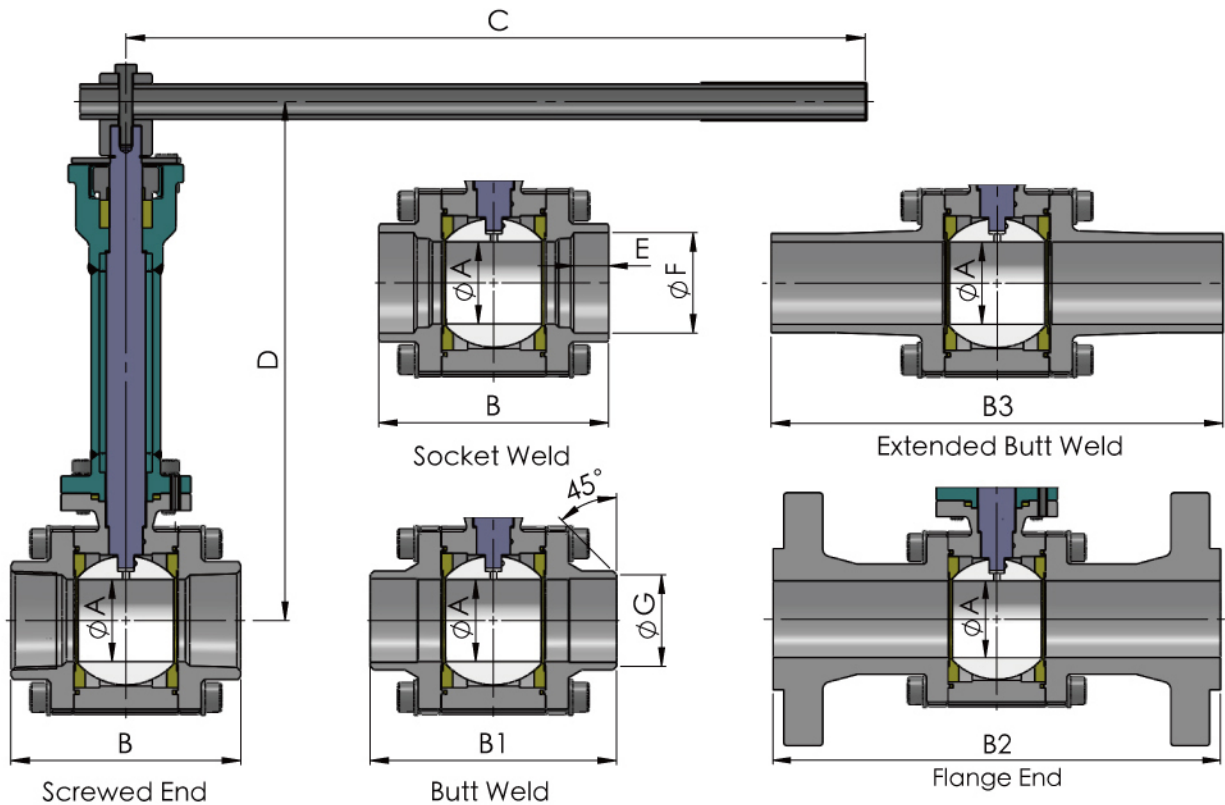
Size	A	B	C	D	Weight (kg)
1/2"	16.0	108.0	180.5	274.6	3.60
3/4"	20.0	117.0	180.5	274.6	3.86
1"	25.0	127.0	250.0	282.3	5.10
1-1/2"	38.0	165.0	450.0	349.2	10.00
2"	50.0	178.0	450.0	357.5	12.10
3"	80.0	203.0	565.0	449.2	25.80
4"	100.0	229.0	※	※	36.90
6"	152.0	394.0	※	※	91.50
8"	203.0	457.0	※	※	175.00

※ Gear operation only. Please contact EMICO for details.

**EMICO FIG EA 26J ASME CLASS 300 FULL BORE**

Size	A	B	C	D	Weight (kg)
1/2"	16.0	140.0	180.5	275.1	4.70
3/4"	20.0	152.0	180.5	275.1	5.00
1"	25.0	165.0	250.0	282.3	6.90
1-1/2"	38.0	190.5	450.0	349.2	12.48
2"	50.0	216.0	450.0	362.5	15.50
3"	80.0	283.0	565.0	456.2	34.00
4"	100.0	305.0	※	※	50.60
6"	152.0	403.0	※	※	133.60
8"	203.0	502.0	※	※	248.40

※ Gear operation only. Please contact EMICO for details.



Size	A	B	B1	B2	B3	C	D	E	F	G	Weight (kg)		
											Threaded	Flange	Extended Butt-Welded
1/2"	16.0	75.0	75.0	165.0	225.0	181.5	222.3	11.2	21.8	17.0	1.93	3.70	2.07
3/4"	20.0	80.0	90.0	190.0	225.0	181.5	224.8	14.3	27.2	22.0	2.14	4.10	2.30
1"	24.5	90.0	100.0	216.0	245.0	250.0	261.1	15.8	33.9	28.0	3.28	6.30	3.52
1-1/4"	32.0	110.0	110.0	229.0	255.0	250.0	265.1	17.5	42.7	37.0	4.07	7.81	4.37
1-1/2"	38.0	120.0	125.0	241.0	260.0	450.0	306.4	19.1	48.8	43.0	7.20	13.80	7.73
2"	50.0	140.0	150.0	292.0	275.0	450.0	315.7	21.3	61.2	54.0	10.00	19.20	10.74
2-1/2"	65.0	185.0	190.0	330.0	335.0	565.0	453.0	22.0	74.0	72.0	16.95	32.2	18.20
3"	80.0	205.0	220.0	356.0	355.0	565.0	465.0	26.0	90.0	84.0	23.4	44.5	25.10
4"	100.0	240.0	270.0	432.0	365.0	565.0	480.3	32.0	115.6	109.0	32.8	62.3	35.20

Reasonable care has been taken to ensure accuracy of the material in this brochure. EMICO recommends that you verify any information with your independent expert and rely solely on that expert's advice. EMICO expressly disclaims any and all liability whatsoever.